

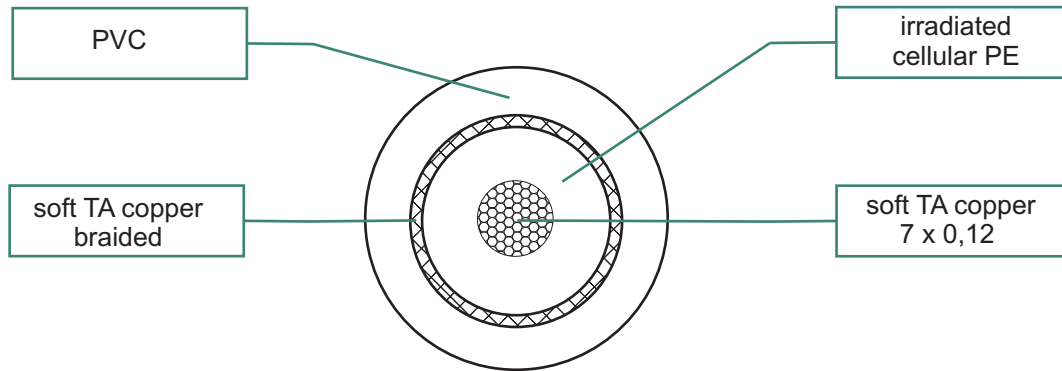
V-25

V-25 video koax Kabel 75 Ohm

High End Koax 75 Ohm - PE isolation - Sehr dicht geflochtene Abschirmung - niedrige Kapazität -Anwendungsgebiete: video, Kamera, security monitor, CCTV usw.

Durchmesse: Ø 2.9 mm

Farbe Außenmantel: Dunkelgrau



Conductor	conductor material	material insulation	conductor outer diameter	Total Shield	colour jacket	Total Diameter	conductor resist. Ohm /km	min. insol. Resist. M Ohm /km	nom. capacit. (1 kHz/ pF/m)	characteristic impedance	characteristic impedance 10 mHz/KM			
1	soft TA copper 7 x 0,12	irradiated cellular PE	0,36 mm 0,08mm ²	soft TA copper braided	matt dark grey	2,9 max 3,05mm	max 248	1000	<57	75 ohm	77 dB / KM 10mHz.			